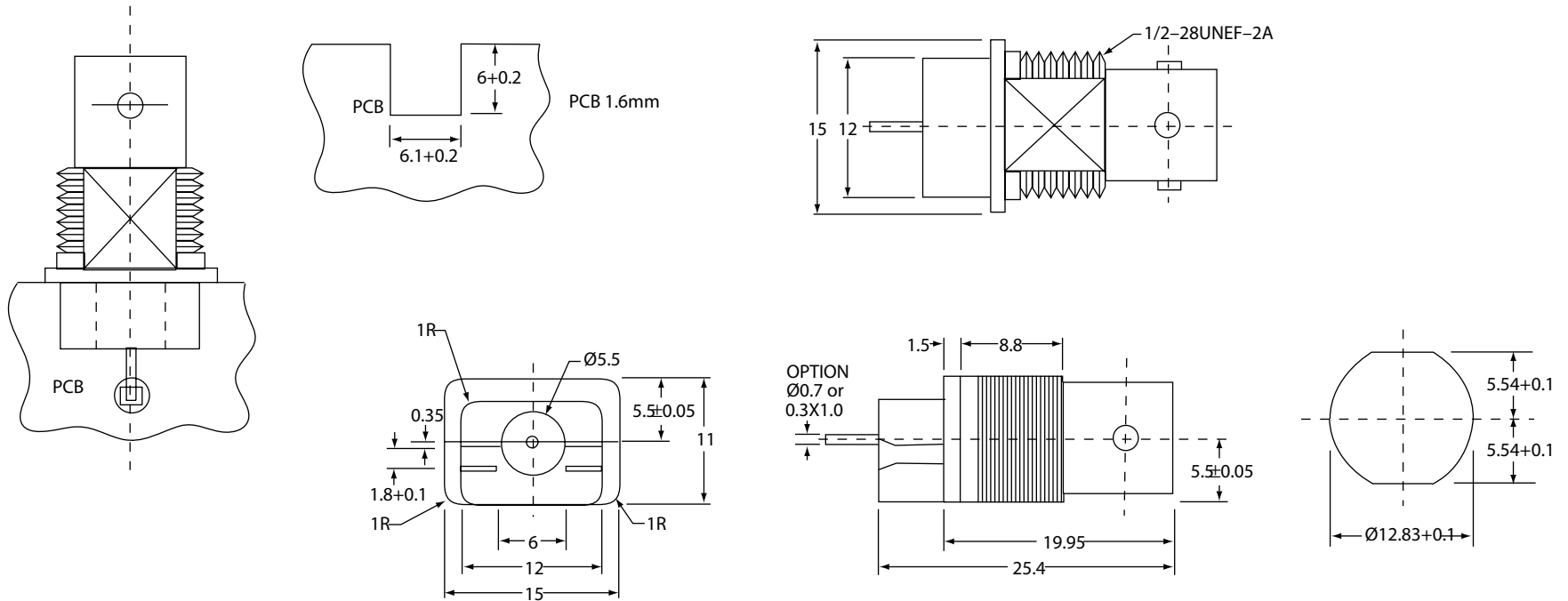


# CTP-BV-04

# CTP-7BV-04

## PCB Edge Mound BNC



Phone 1-800-809-2751



Fax 1-510-440-0579

[www.connect-tech-products.com](http://www.connect-tech-products.com) • [info@connect-tech-products.com](mailto:info@connect-tech-products.com)

4428 Technology Drive • Fremont, CA 94538, USA • 510-498-8815 • Fax: 510-440-0579