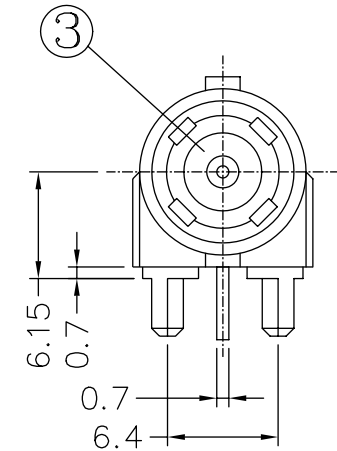
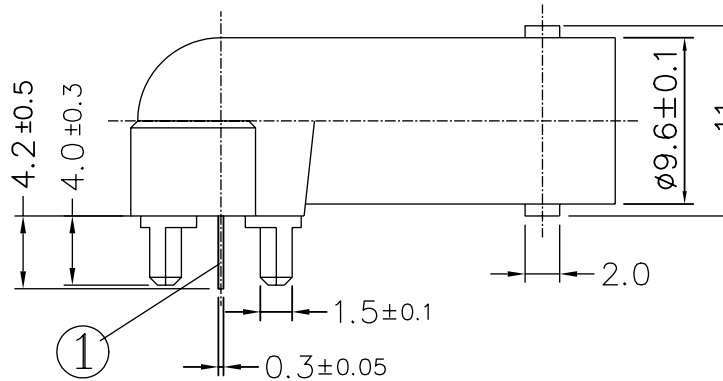
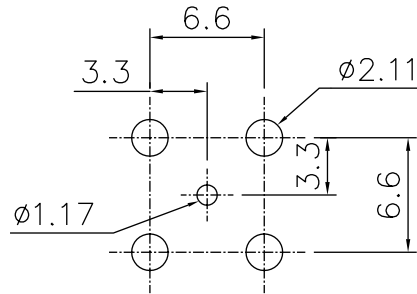


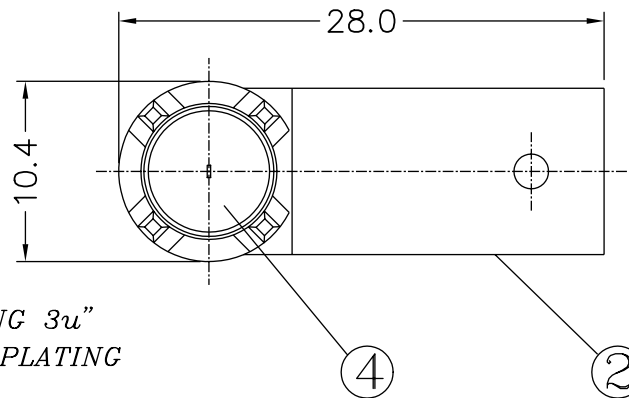
CTP-BR-L5 CTP-7BR-L5



*RECOMMENDED PC BOARD LAYOUT
WITHOUT MOUNTING POSTS*

MATERIAL & FINISH

- ① CENTER CONTACT : BRONZE, GOLD PLATING 3u"
- ② BODY : ZINC ALLOY NICKEL PLATING
- ③ INSULATOR : TPX
- ④ INSULATOR : TEFLON



Phone 1-800-809-2751



Fax 1-510-440-0579

www.connect-tech-products.com • info@connect-tech-products.com

4428 Technology Drive • Fremont, CA 94538, USA • 510-498-8815 • Fax: 510-440-0579