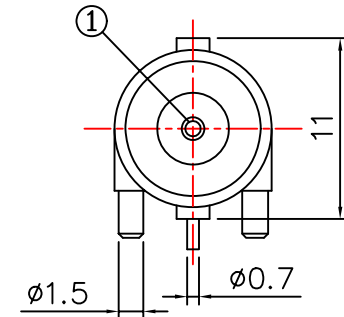
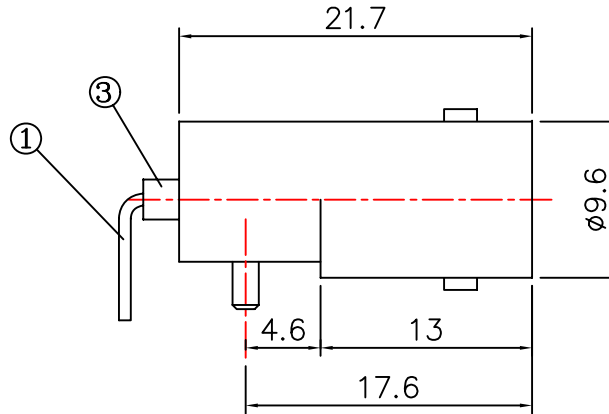
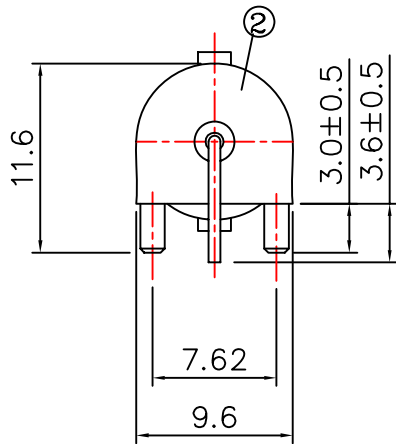


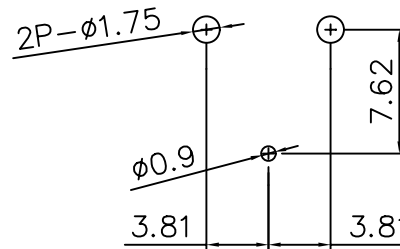
# CTP-BR-L2

# CTP-7BR-L2

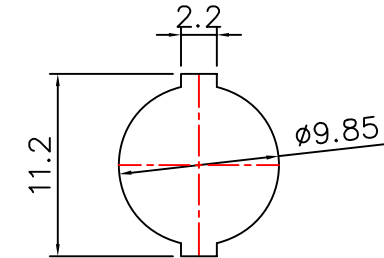


## MATERIAL & FINISH

- ① CENTER CONTACT: PHOSPHOR BRONZE, GOLD PLATED
- ② BODY: ZINC ALLOY, NICKEL PLATED
- ③ INSULATOR: PE-606



RECOMMENDED PCB LAYOUT



RECOMMENDED PANEL CUTOUT



Phone 1-800-809-2751

Fax 1-510-440-0579

[www.connect-tech-products.com](http://www.connect-tech-products.com) • [info@connect-tech-products.com](mailto:info@connect-tech-products.com)

4428 Technology Drive • Fremont, CA 94538, USA • 510-498-8815 • Fax: 510-440-0579