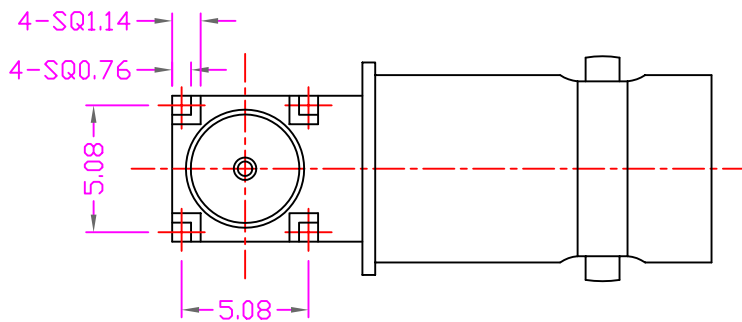
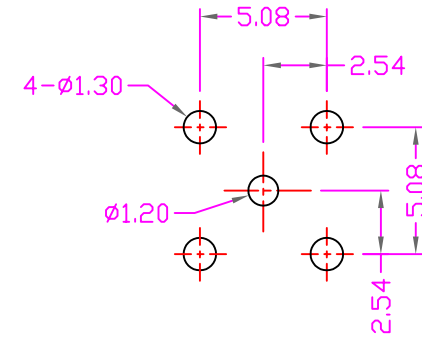
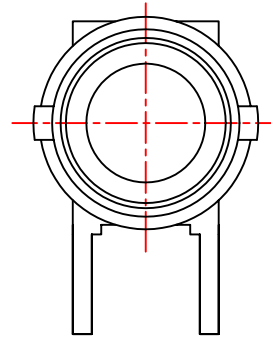
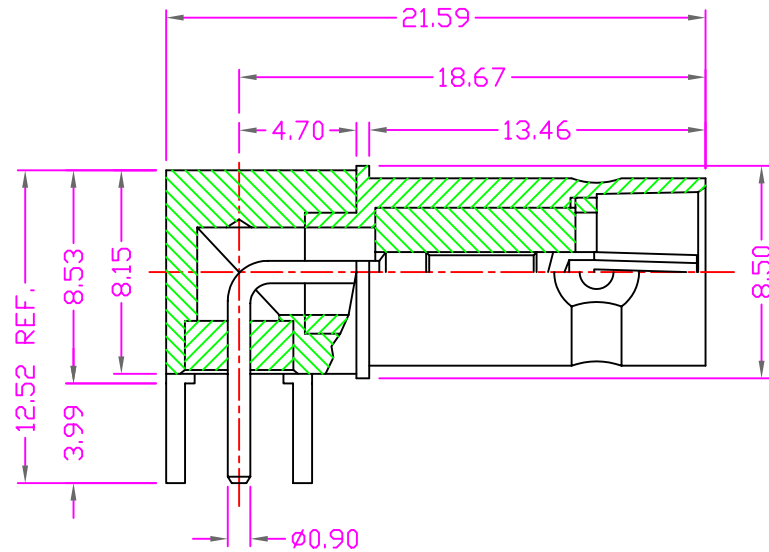


CTP-BMR-30017



MATERIALS

1. INSULATOR : TEFLON UL94V-0, WHITE
2. BODY : BRASS, NICKEL PLATED
3. CONTACT : BERYLLIUM COPPER

OTHER INFORMATION

1. CONTACT RESISTANCE :
1-1. CENTER CONTACT : 6.0m OHMS MAX.
1-2. OUTER CONTACT : 2.5m OHMS MAX.
2. DIELECTRIC WITHSTANDING VOLTAGE :
1000V AC RMS FOR 1 MINUTE
3. INSULATION RESISTANCE :
1000M OHMS MIN. AT 500V DC
4. OPERATING TEMPERATURE : $-40^{\circ}\text{C} \sim +85^{\circ}\text{C}$



Phone 1-800-809-2751

Fax 1-510-440-0579

www.connect-tech-products.com • info@connect-tech-products.com

4428 Technology Drive • Fremont, CA 94538, USA • 510-498-8815 • Fax: 510-440-0579