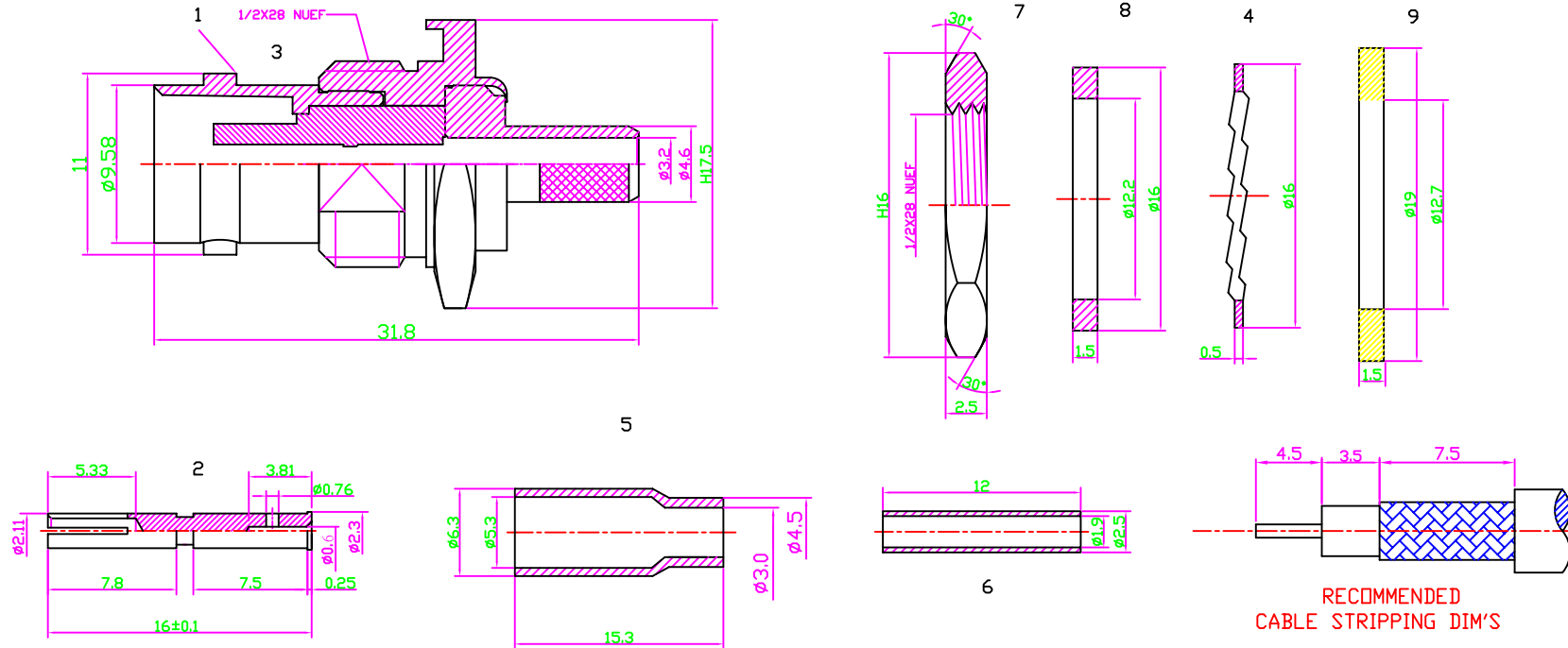


CTP-BH-2003

REV. B

BNC SERIES
BULKHEAD, CRIMP FOR RG174, VERTICAL
50 OHM, FEMALE



RoHS COMPLIANT
EU Directive 2002/95/EC

TOLERANCES
XX ±0.3
XXX ±0.2
XXX±0.1
Angle ±5°

9	WASHER	1	Brass	Nickel
8	GASKET	1	RUBBER	RED
7	Nut	1	Brass	Nickel
6	Bushing	1	PVC	
5	Ferrule	1	Brass	Nickel
4	Washer	1	Steel	Nickel
3	Dielectric	1	DELTRIN	None
2	Pin	1	Brass	Gold
1	Body	1	Brass	Nickel
NO	Description	Qty	Material	Finish



Phone 1-800-809-2751

Fax 1-510-440-0579

www.connect-tech-products.com • info@connect-tech-products.com

4428 Technology Drive • Fremont, CA 94538, USA • 510-498-8815 • Fax: 510-440-0579