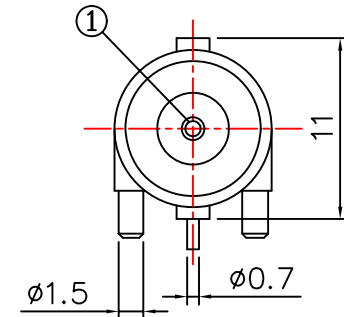
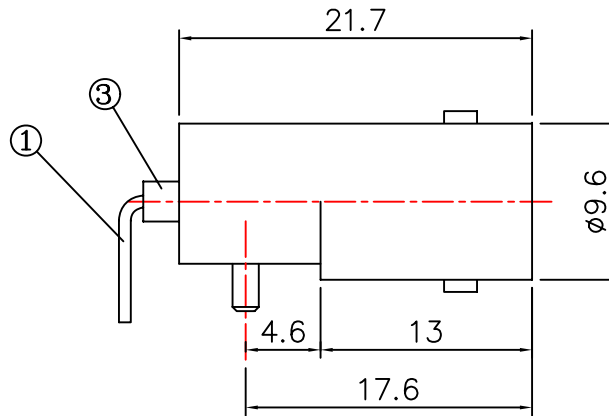
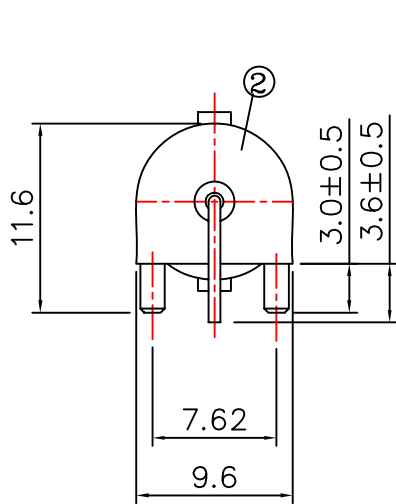


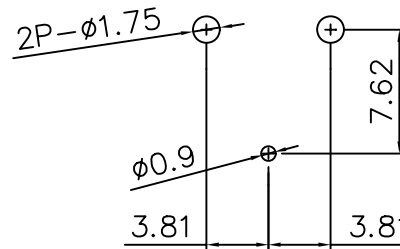
CTP-BR-L22

CTP-7BR-L22

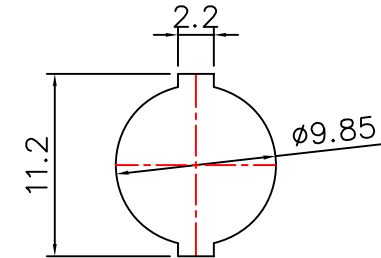


MATERIAL & FINISH

- ① CENTER CONTACT: PHOSPHOR BRONZE, GOLD PLATED
- ② BODY: ZINC ALLOY, NICKEL PLATED
- ③ INSULATOR: TEFLON



RECOMMENDED PCB LAYOUT



RECOMMENDED PANEL CUTOUT



Phone 1-800-809-2751

Fax 1-510-440-0579

www.connect-tech-products.com • info@connect-tech-products.com

4428 Technology Drive • Fremont, CA 94538, USA • 510-498-8815 • Fax: 510-440-0579