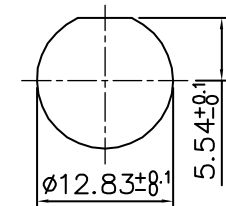
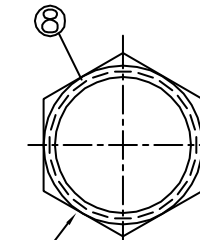
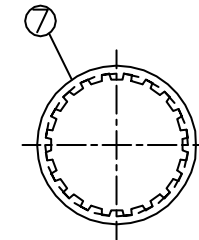
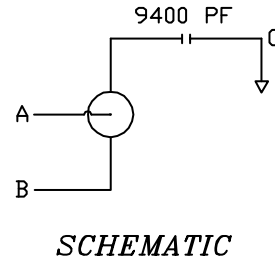
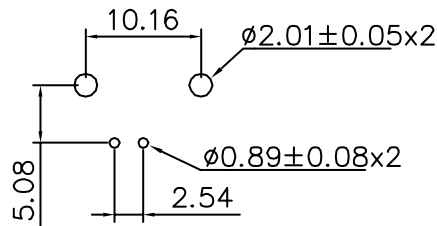
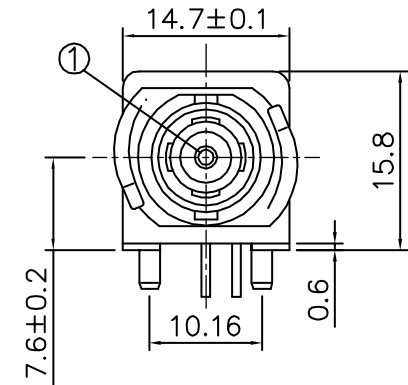
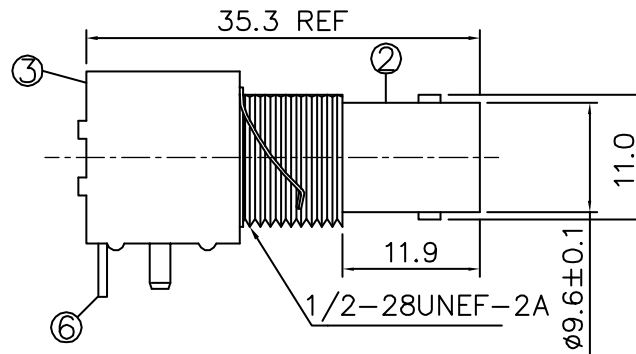
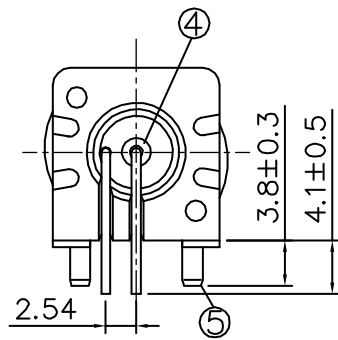


# CTP-BR-2151-H

# CTP-7BR-2151-H



**RECOMMENDED PC BOARD LAYOUT  
WITHOUT MOUNTING POSTS**

**MATERIAL & FINISH**

- ① CENTER CONTACT : BRONZE, GOLD PLATING
- ② BODY : ZINC ALLOY NICKEL PLATING
- ③ HOUSING : PBT(94 V-0) BLACK
- ④ INSULATOR : PE-606
- ⑤ MOUNTING POST : BRONZE, TIN PLATING
- ⑥ SOLDER TAIL : COPPER WIRE, TIN PLATING
- ⑦ WASHER : STEEL, NICKEL PLATING
- ⑧ NUT : BRASS, NICKEL PLATING

LOCK WASHER  
1/2-28UNEF-2B  
CLAMP NUT



Phone 1-800-809-2751

Fax 1-510-440-0579

www.connect-tech-products.com • info@connect-tech-products.com

4428 Technology Drive • Fremont, CA 94538, USA • 510-498-8815 • Fax: 510-440-0579