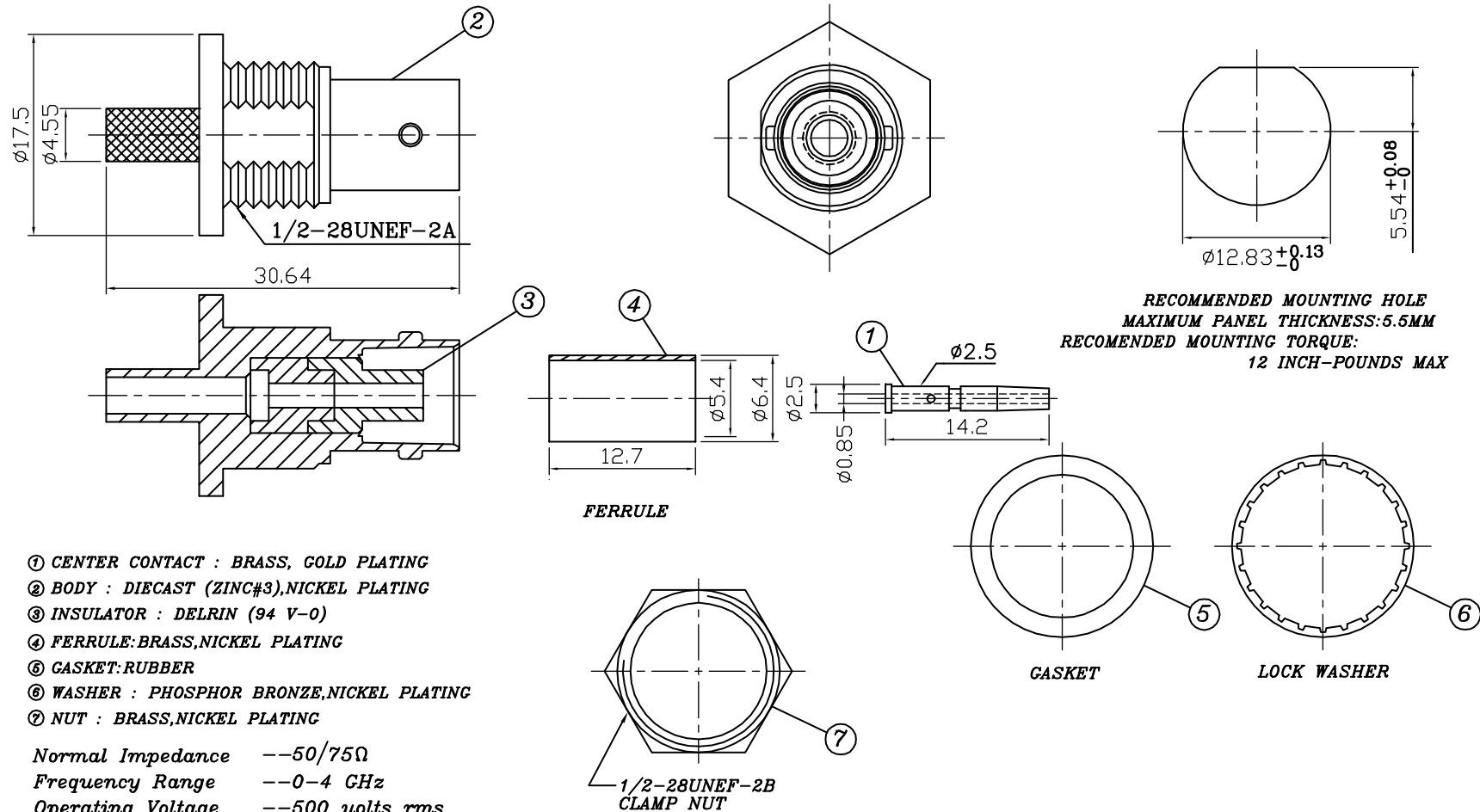


CTP-BH-020-1

CTP-7BH-020-1



- ① CENTER CONTACT : BRASS, GOLD PLATING
- ② BODY : DIECAST (ZINC#3), NICKEL PLATING
- ③ INSULATOR : DELRIN (94 V-0)
- ④ FERRULE: BRASS, NICKEL PLATING
- ⑤ GASKET: RUBBER
- ⑥ WASHER : PHOSPHOR BRONZE, NICKEL PLATING
- ⑦ NUT : BRASS, NICKEL PLATING

Normal Impedance --50/75Ω
 Frequency Range --0-4 GHz
 Operating Voltage --500 volts rms
 Contact Resistance --3.0 milliohms max.(gold)
 Insulation Resistance--5000 megohms min



Phone 1-800-809-2751

Fax 1-510-440-0579

www.connect-tech-products.com • info@connect-tech-products.com

4428 Technology Drive • Fremont, CA 94538, USA • 510-498-8815 • Fax: 510-440-0579