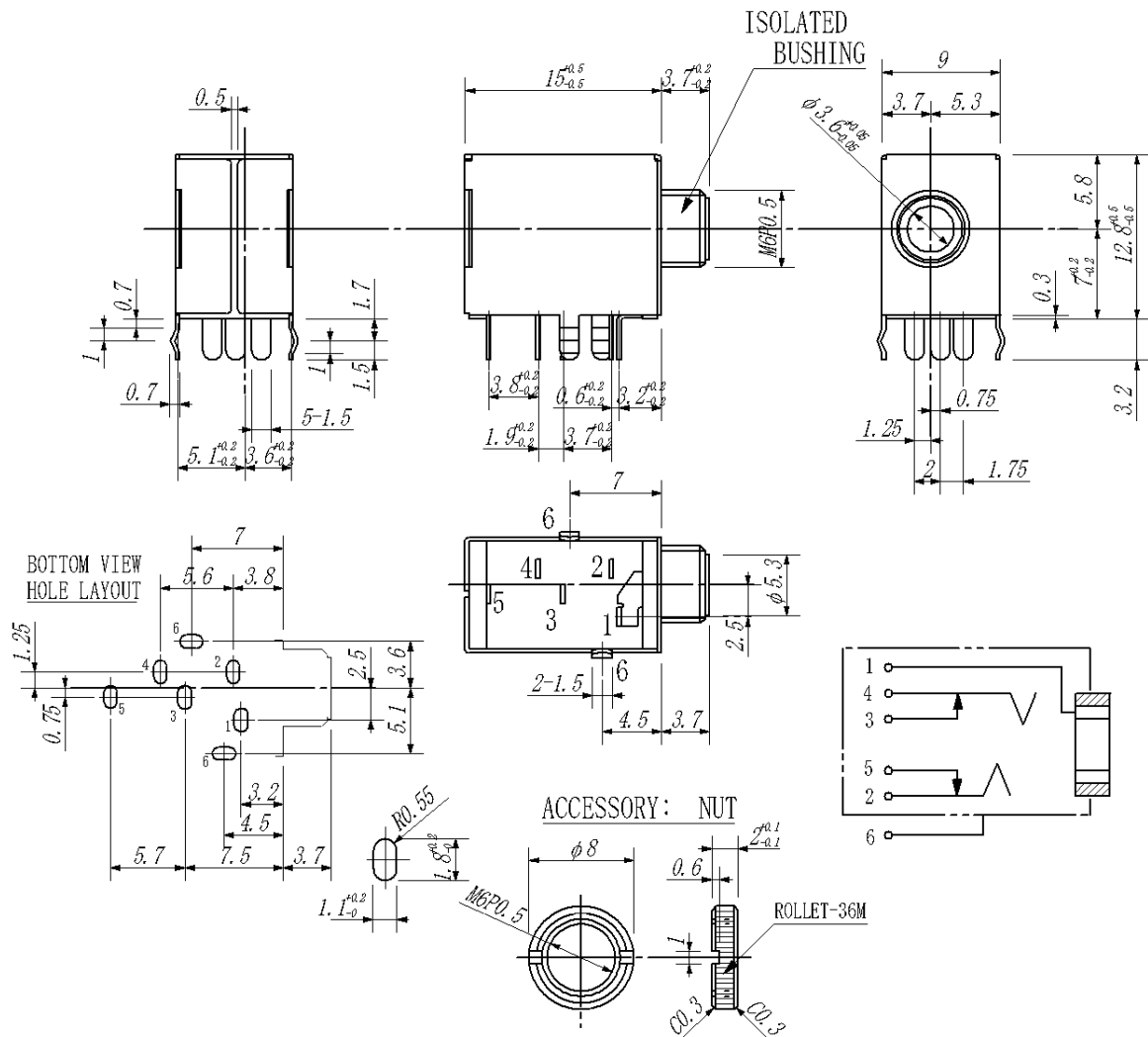


CTP-354W-SI



PART NAME	QTY	MATERIAL	PLATING	REMARKS
BODY	1	P. B. T. +G15%		BLACK UL94V-0
COVER	1	P. B. T. +G15%		BLACK UL94V-0
M-TERMINAL A(TIP)	1	PBR-1/2H 0.3t	Ag	
M-TERMINAL B(RING)	1	PBR-1/2H 0.25t	Ag	
FIX TERMINAL A	1	BsR2-H 0.3t	Ag	
FIX TERMINAL B	1	BsR2-H 0.3t	Ag	
E-TERMINAL(SLEEVE)	1	BsR2-H 0.3t	Ag	
SPRING A	1	SUS-304		HEAT TREATMENT
SPRING B	1	SUS-304		HEAT TREATMENT
METAL (BUSHING)	1	BsR-1/2H 0.3t	Ni-3	
SHIELD CASE	1	BsR-1/2H 0.3t	Tin	GLOSS
NUT	1	BsBM2	Ni-3	



Phone 1-800-809-2751

Fax 1-510-440-0579

www.connect-tech-products.com • info@connect-tech-products.com

4428 Technology Drive • Fremont, CA 94538, USA • 510-498-8815 • Fax: 510-440-0579