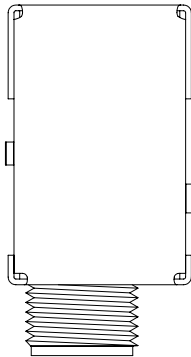
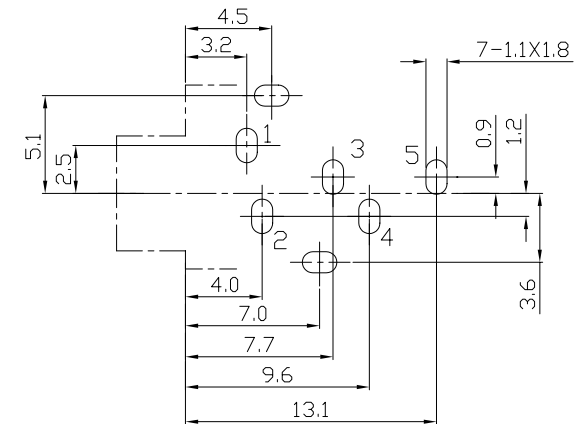
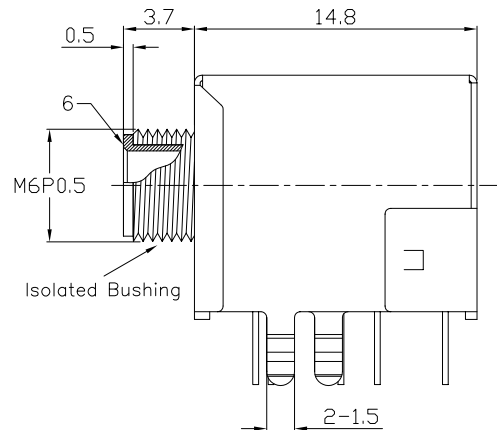
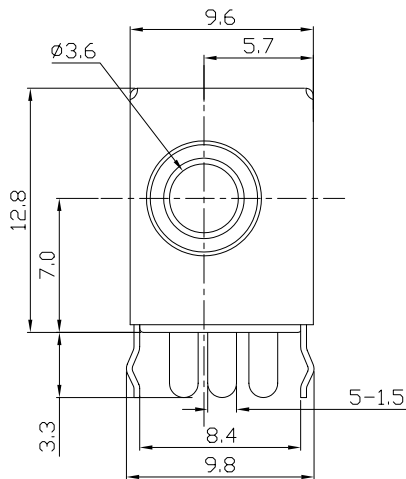


CTP-354W-SI-09

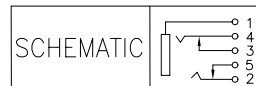
REV.B



10	Housing	PBT	Black	1
9	Cover	PBT	Black	1
8	Shield	Brass	Nickel Plated	1
7	Springs	SWC	Nickel Plated	2
6	Bushing W/thread	PBT(Isolated)	Black	1
		Brass	Nickel Plated	1
5	Tip Terminal	Copper Alloy	Matte Tin Plated	1
4	TS Terminal	Copper Alloy	Matte Tin Plated	1
3	RS Terminal	Copper Alloy	Matte Tin Plated	1
2	Ring Terminal	Copper Alloy	Matte Tin Plated	1
1	Sleeve Terminal	Copper Alloy	Matte Tin Plated	1
ITEM	NAME	MATERIAL	FINISH	SUM



PCB LAYOUT
(BOTTOM VIEW)



RoHS COMPLIANT
EU Directive 2002/95/EC



Phone 1-800-809-2751

Fax 1-510-440-0579

www.connect-tech-products.com • info@connect-tech-products.com

4428 Technology Drive • Fremont, CA 94538, USA • 510-498-8815 • Fax: 510-440-0579