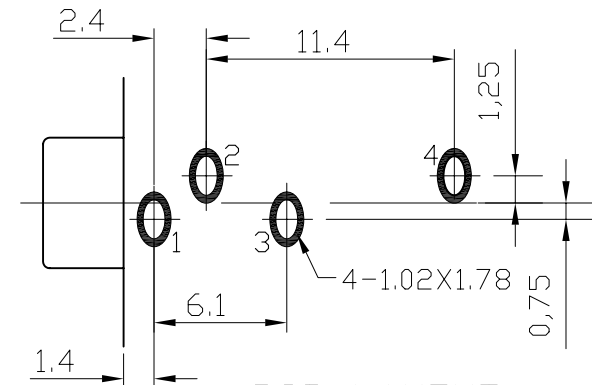
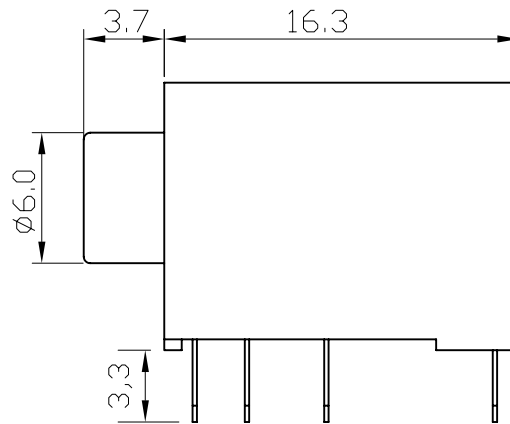
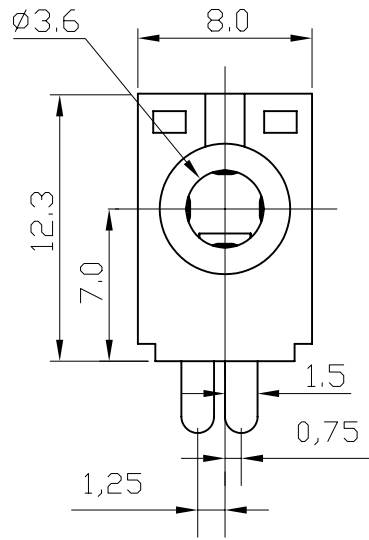


# CTP-354-19



PCB LAYOUT  
(TOP VIEW)

**RoHS COMPLIANT**  
EU Directive 2002/95/EC



TOLERANCES  
X. ± 0.5  
X.X ± 0.3  
X.XX ± 0.15  
ANGLE: ±3°

6	Housing	PBT	Black	1
5	Cover	PBT	Black	1
4	Tip Terminal	Copper Alloy	Matte Tin Plated	1
3	Ring Terminal	Copper Alloy	Matte Tin Plated	1
2	Sleeve Terminal	Copper Alloy	Matte Tin Plated	1
1	Sleeve Terminal	Copper Alloy	Matte Tin Plated	1
TEM	NAME	MATERIAL	FINISH	SUM



Phone 1-800-809-2751

Fax 1-510-440-0579

www.connect-tech-products.com • info@connect-tech-products.com

4428 Technology Drive • Fremont, CA 94538, USA • 510-498-8815 • Fax: 510-440-0579