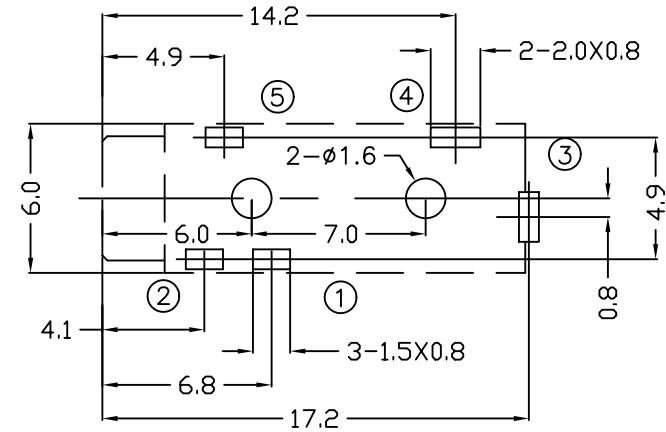
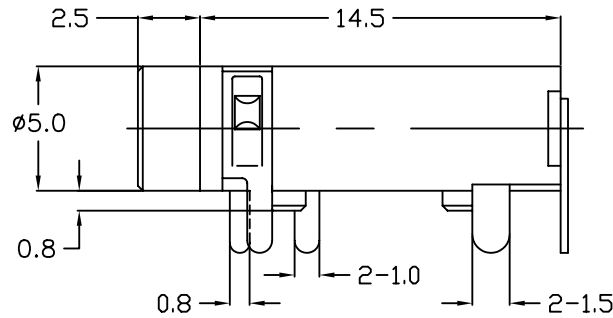
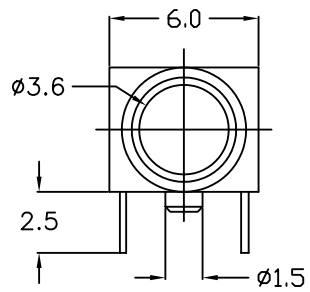


# CTP-35009



P.C.B LAYOUT  
(BOTTOM VIEW)

SCHEMATIC	CTP-35009-1	CTP-35009-2	CTP-35009-3	CTP-35009-4
MODEL NO	CTP-35009-1	CTP-35009-2	CTP-35009-3	CTP-35009-4

7	Housing	PA46 (Rated UL 94V-0)	Black	1
6	Cover	PA46 (Rated UL 94V-0)	Black	1
5	Sleeve Terminal	Copper Alloy	Gold Flash or Tin Plated	1
4	Tip Terminal	Phosphor Bronze	Gold Flash or Tin Plated	1
3	TS Terminal	Phosphor Bronze	Gold Flash or Tin Plated	1
2	RS Terminal	Phosphor Bronze	Gold Flash or Tin Plated	1
1	Ring Terminal	Copper Alloy	Gold Flash or Tin Plated	1
ITEM	NAME	MATERIAL	FINISH	SUM



Phone 1-800-809-2751

Fax 1-510-440-0579

www.connect-tech-products.com • info@connect-tech-products.com

4428 Technology Drive • Fremont, CA 94538, USA • 510-498-8815 • Fax: 510-440-0579