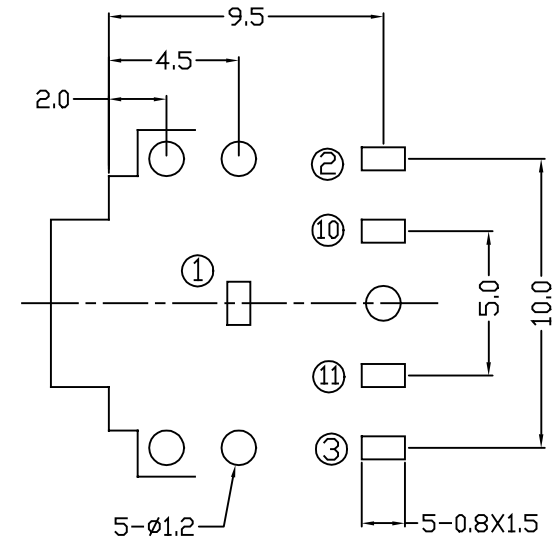
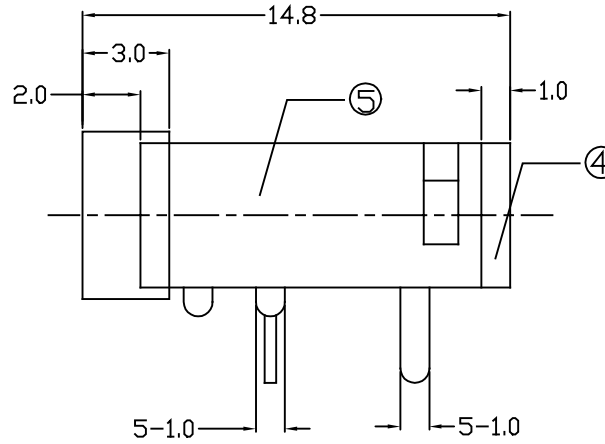
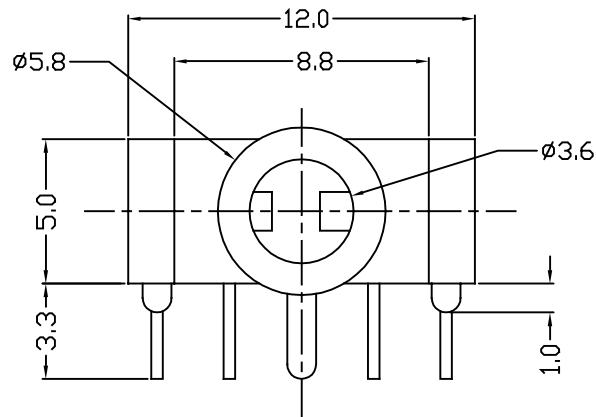


CTP-35005-5



P.C.B LAYOUT
(BOTTOM VIEW)

CTP-35005-5	CTP-35005-4T	CTP-35005-4R	CTP-35005-3	CTP-35005-2	CTP-35005-1

11	RS	BRASS	Tin Plated	1
10	TS	BRASS	Tin Plated	1
5	Housing	POM	Black	1
4	COVER	POM	Black	1
3	Ring Terminal	Copper Alloy	Tin Plated	1
2	Tip Terminal	Copper Alloy	Tin Plated	1
1	Sleeve Terminal	Copper Alloy	Tin Plated	1
ITEM	NAME	MATERIAL	FINISH	SUM

Phone 1-800-809-2751



Fax 1-510-440-0579

www.connect-tech-products.com • info@connect-tech-products.com

4428 Technology Drive • Fremont, CA 94538, USA • 510-498-8815 • Fax: 510-440-0579