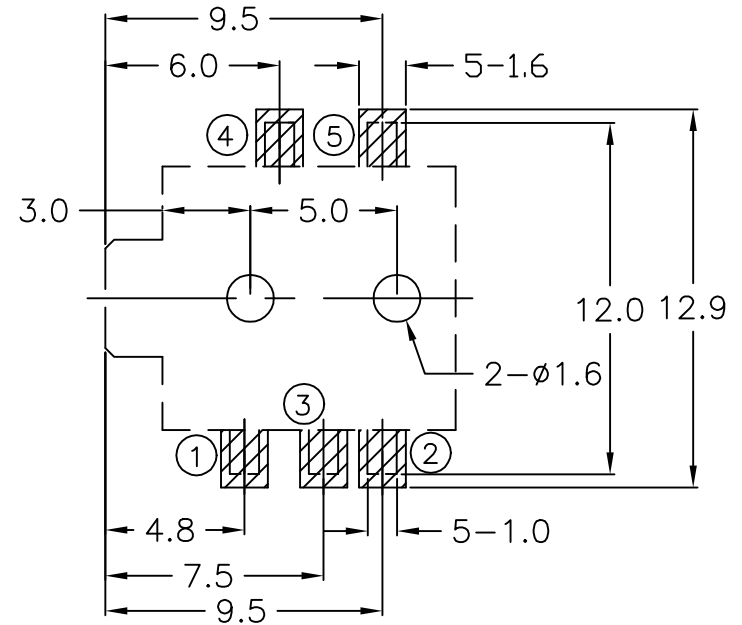
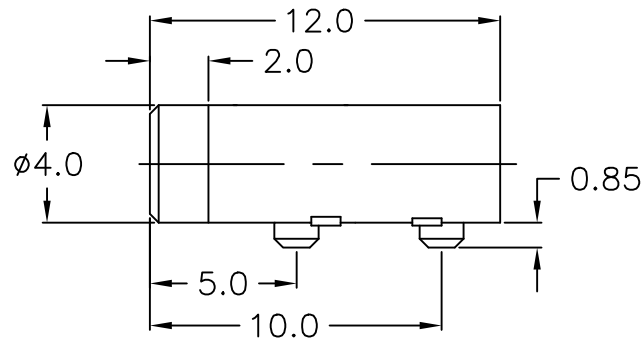
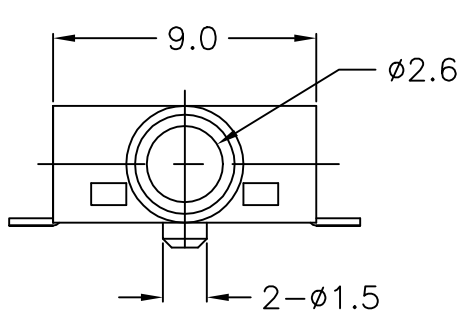
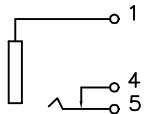


CTP-25404-M



P.C.B. LAYOUT
(BOTTOM VIEW)



SCHEMATIC

7	Housing	PA46 (Rated UL 94V-0)		1
6	Cover	PA46 (Rated UL 94V-0)		1
5	Tip Terminal	Copper Alloy	Gold Flash	1
4	TS Terminal	Brass	Gold Flash	1
3	RS Terminal	Brass	Gold Flash	1
2	Ring Terminal	Copper Alloy	Gold Flash	1
1	Sleeve Terminal	Copper Alloy	Gold Flash	1
ITEM	NAME	MATERIAL	FINISH	SUM

Phone 1-800-809-2751



Fax 1-510-440-0579

www.connect-tech-products.com • info@connect-tech-products.com

4428 Technology Drive • Fremont, CA 94538, USA • 510-498-8815 • Fax: 510-440-0579