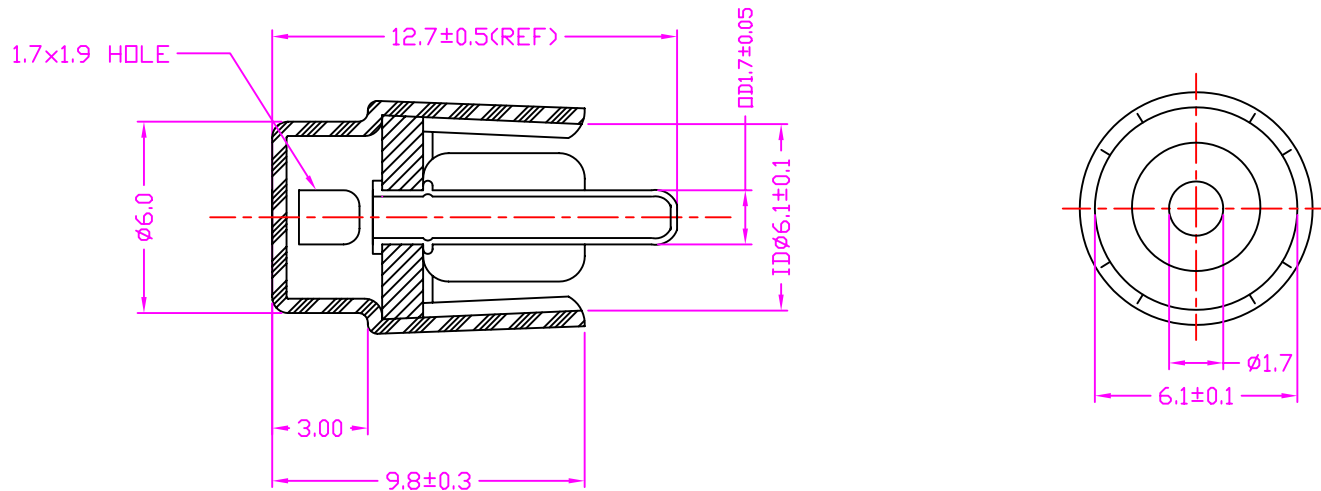


# CTP-175-10A



## MATERIALS

1. SHELL: C.R. STEEL, WHOLE TIN OR WHOLE TIN PLATED
2. CENTER CONTACT: BRASS SEAMLESS TUBING, NICKEL PLATED
3. INSULATOR: PHENOLIC, UL 94-HB

## PART NUMBER

C T P - 1 7 5 - 1 0 A



Phone 1-800-809-2751

Fax 1-510-440-0579

[www.connect-tech-products.com](http://www.connect-tech-products.com) • [info@connect-tech-products.com](mailto:info@connect-tech-products.com)

4428 Technology Drive • Fremont, CA 94538, USA • 510-498-8815 • Fax: 510-440-0579