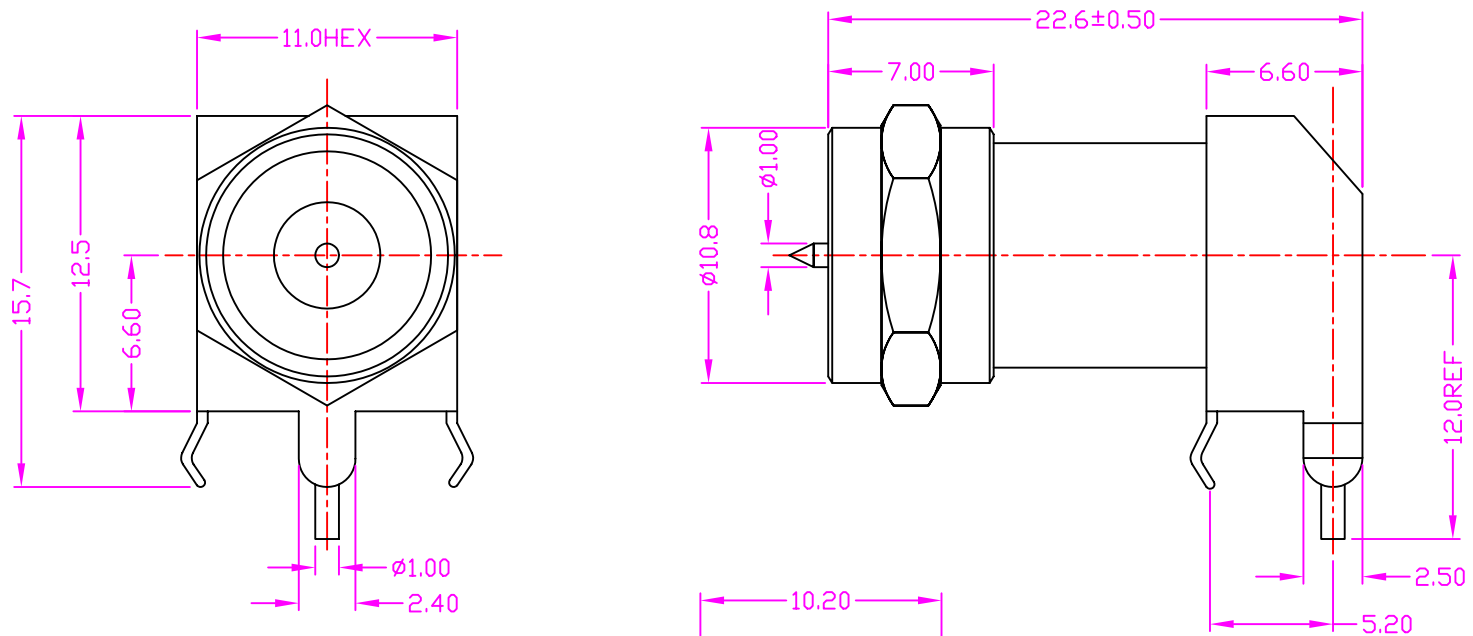
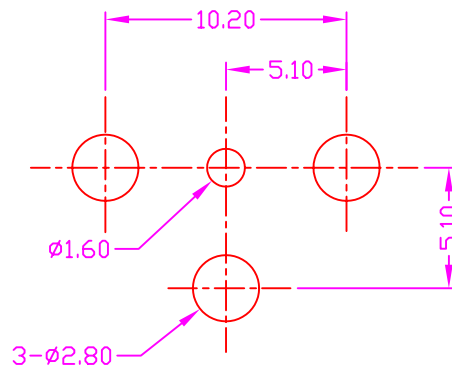


CTP-128-F040



MATERIALS

1. INSULATION : POM UL94V-0, NATURE
2. BODY : BRASS, NICKEL PLATED
3. BRACKET : IRON, TIN PLATED
4. CONTACT : BRASS



RECOMMEND P.C.B. LAYOUT

TOP VIEW



Phone 1-800-809-2751

Fax 1-510-440-0579

www.connect-tech-products.com • info@connect-tech-products.com

4428 Technology Drive • Fremont, CA 94538, USA • 510-498-8815 • Fax: 510-440-0579