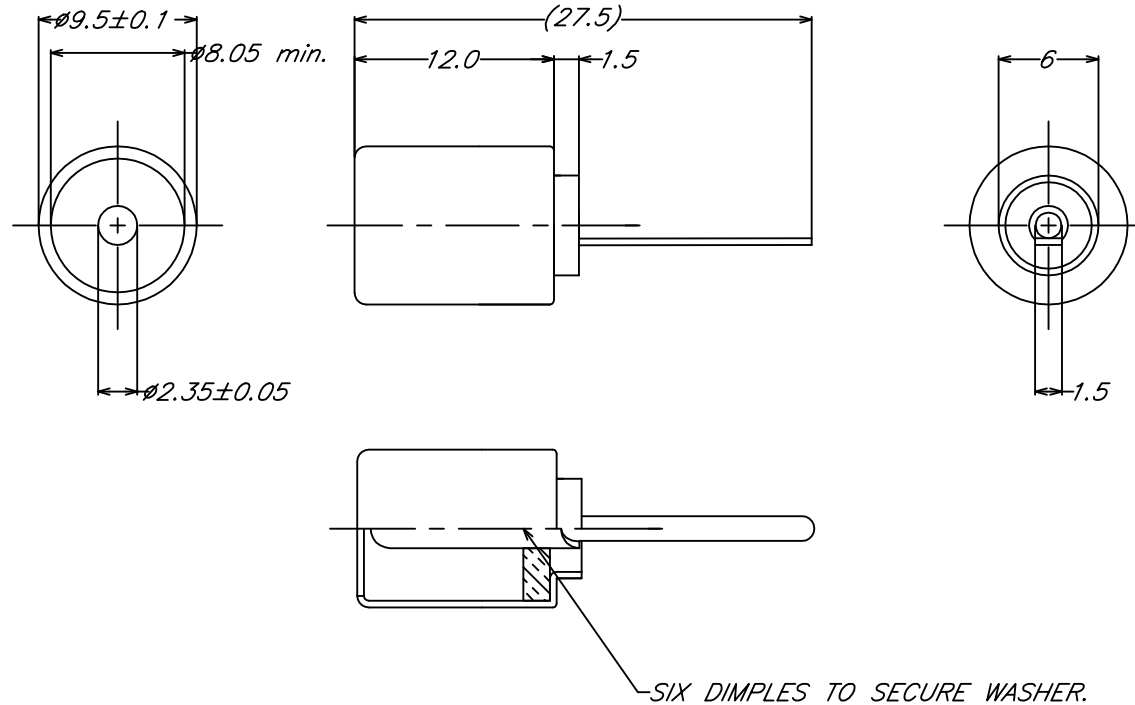


CTP-087-6A



NOTE : THE APPEARANCE AND CHARACTERISTIC REQUESTED TO SPECIFICATION.

* COMPARABLE WITH :

PARTS LIST				
ITEM	PARTS NAME	PARTS NO.	MATERIAL	FINISH
1	SHIELD CASE	P-042A-05	C.R.STEEL	Tin
2	CENTER CONTACT	P-020B-04	BRASS	Tin Lead
3	INSULATOR WASHER	P-002C-05	POLYESTER	-

Phone 1-800-809-2751



Fax 1-510-440-0579

www.connect-tech-products.com • info@connect-tech-products.com

4428 Technology Drive • Fremont, CA 94538, USA • 510-498-8815 • Fax: 510-440-0579