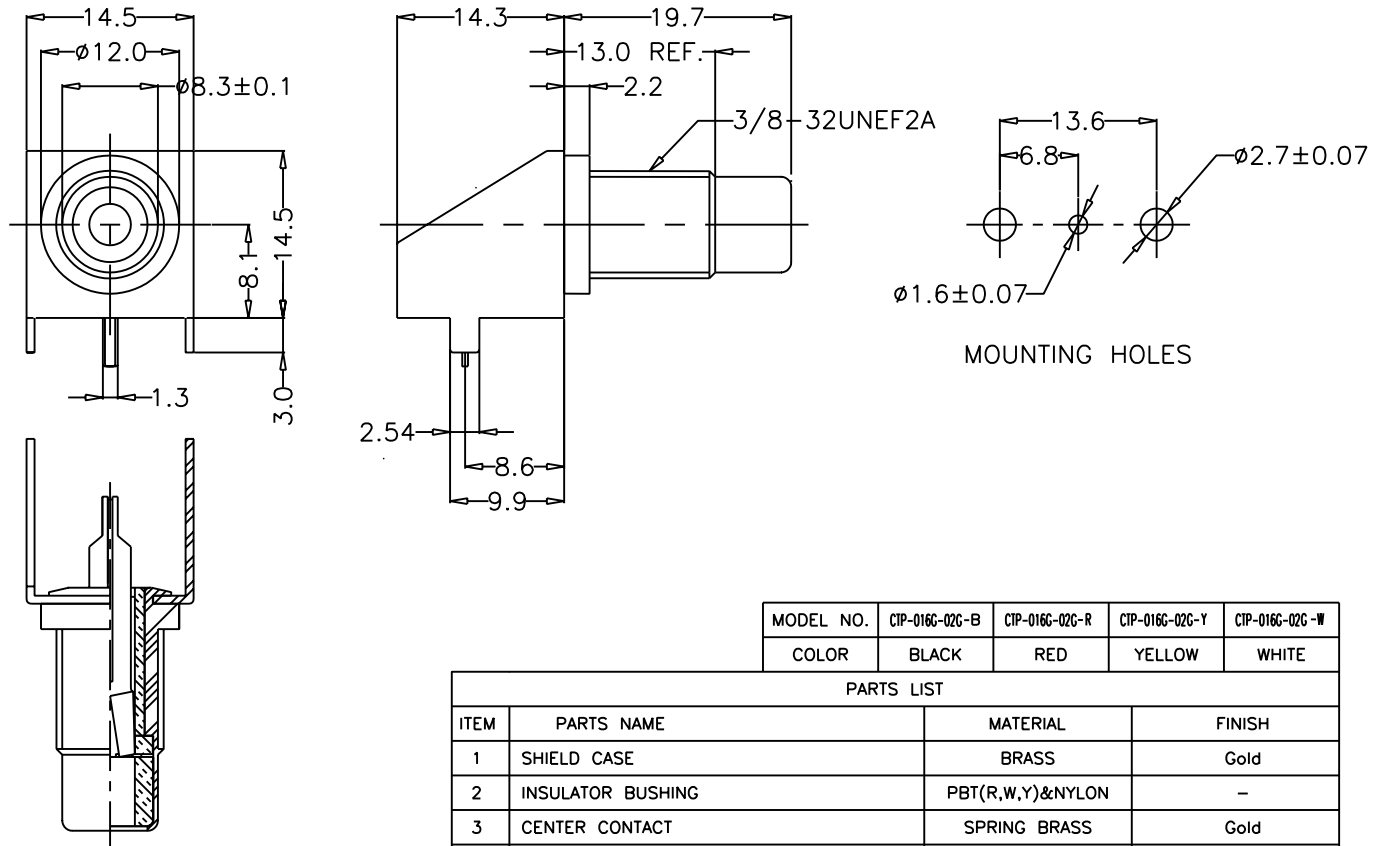


CTP-016G-02G



PARTS LIST				
ITEM	PARTS NAME	MATERIAL	FINISH	
1	SHIELD CASE	BRASS	Gold	
2	INSULATOR BUSHING	PBT(R,W,Y)&NYLON	-	
3	CENTER CONTACT	SPRING BRASS	Gold	
4	INSULATOR WASHER	GLASS FIBRE	-	
5	BRACKET	C.R.STEEL	Gold	



Phone 1-800-809-2751

Fax 1-510-440-0579

www.connect-tech-products.com • info@connect-tech-products.com

4428 Technology Drive • Fremont, CA 94538, USA • 510-498-8815 • Fax: 510-440-0579